

G530 Ultra Heavy Duty Full Extension Slide

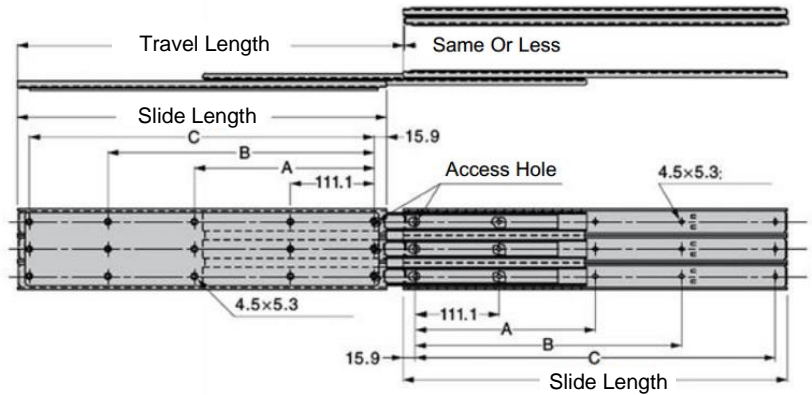
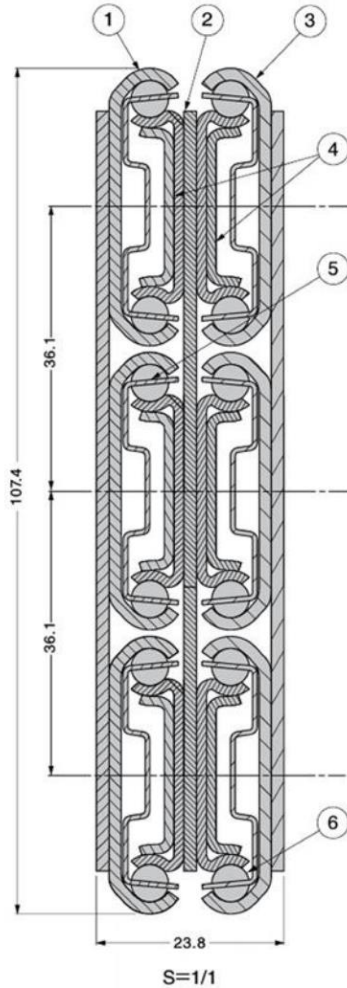
Max load 420 kg

Features

- Full extension, 3 members slide
- Suitable for ultra heavy duty application

Recommended Screws

- M4 binding or M4 truss screw



No.	Part Name	Material	Finish/Colour
①	Outer Member	Steel (SPCC)	Clear Zinc Chromate (Trivalent)
②	Middle Member		
③	Inner Member		
④	Retainer	Steel (SECC)	(Zinc Plating)
⑤	Steel Balls	Steel (SWCH)	-

Sold by piece

Part No.	Slide Length	Travel Length	A	B	C	Load Capacity (per pair)
G530-12	304.8	327	-	149.2	273	4,119 N 420 kg
G530-14	355.6	378		200	323.8	4,050 N 413 kg
G530-16	406.4	429		250.8	374.6	3,932 N 401 kg
G530-18	457.2	479	212.7	301.6	425.4	3,776 N 385 kg
G530-20	508	530	238.1	352.4	476.2	3,648 N 342 kg
G530-22	558.8	581	263.5	403.2	527	3,472 N 354 kg
G530-24	609.6	632	288.9	454	577.8	3,246 N 331 kg
G530-26	660.4	683	314.3	504.8	628.6	2,981 N 304 kg
G530-28	711.2	733	339.7	555.6	679.4	2,667 N 272 kg